

Model: TASMAN

**Piranha Reverse Osmosis Systems
(250 - 800 GPD / 50 - 150LPH)**



TASMAN Reverse Osmosis Systems

- ★ Specialised Micro-Computer Controller
- ★ Fully Equipped and Customisable
- ★ High Recovery Rate
- ★ Low Energy Consumption
- ★ High Flow Low-Energy Membranes
- ★ Low Maintenance
- ★ Compact Space Saving Design

TASMAN Reverse Osmosis Systems feature an excellent pre-treatment design with high quality components to offer high performance. TASMAN systems are designed for high recovery rates and minimum energy consumption. Experience greater savings with lower maintenance and operation costs when you install a TASMAN Reverse Osmosis System.

Model: TASMAN Piranha Reverse Osmosis Systems (250 - 800 GPD / 50 - 150LPH)

Product Description:

TASMAN compact commercial reverse osmosis system is a durable piece of equipment which, with the correct care and maintenance will last for many years. TASMAN systems are part of a family of reverse osmosis units designed for operation with fresh and brackish feedwaters having TDS values below 2,000ppm. Models are available with permeate outputs of between 50 and 150 litres/hr as shown in the specifications tables.

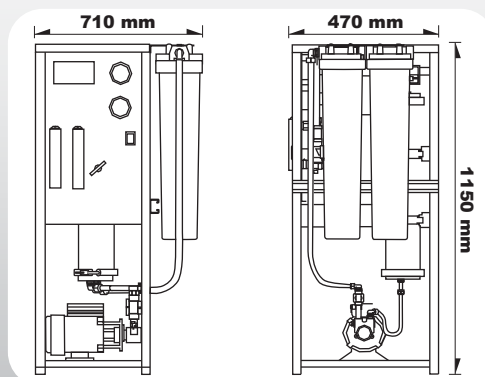
Specifications:

Specifications \ Models		Tasman 300	Tasman 600	Tasman 800
Capacity	GPD / LPH	300 / 50	600 / 100	800 / 150
Working Pressure	PSI / BAR	150 - 200 / 10 - 14		
Pre-Filtration		(20" Filter Housing x 2) + (20" PP Cartridges 5u + 1u)		
Booster Pump		Rotary Van Pump + Motor (1/2HP)		
Membrane	Material	T.F.C with FRP outer wrap		
	Size X Unit	2521 x 1	2521 x 2	4021 x 1
Membrane Housing	Material	UPVC SCH80 with reinforced end caps		Stainless Steel 304
	Size X Unit	2521 x 1	2521 x 2	4021 x 1
Flow Meters		Permeate / Concentrate		
Pressure Gauges		Feed water pressure / Booster pump outlet pressure gauges		
Water quality indicator		T.D.S meter with LCD		
Electrical Controls		Micro-computer control, overload breakers, LED indicators		
Frame		Electro-Polished Stainless steel 304		
Weight		35 KG	40 KG	43 KG

Feed Water Parameters:

Turbidity (SDI)	< 5
T.D.S.	< 2000 ppm
Free Chlorine	0 ppm
pH	3 - 11
Iron	< 0.01 ppm

Dimensions:



Raw water source and quality is the key element that directly effect on the choice of pre-treatment equipment, pumps, piping, membranes...etc.
Please don't hesitate to send us your enquiry and see how we can help to meet your water treatment needs.

Distributed By: