

Model: BERING
Piranha Reverse Osmosis Systems
(2000-4000 GPD / 300-700 LPH)



BERING Reverse Osmosis Systems

- ★ Specialised Micro-Computer Controller
- ★ Fully Equipped and Customisable
- ★ High Recovery Rate
- ★ Low Energy Consumption
- ★ High Flow Low-Energy Membranes
- ★ Low Maintenance
- ★ Compact Space Saving Design

BERING Reverse Osmosis Systems feature an excellent pre-treatment design with high quality components to offer high performance. BERING systems are designed for high recovery rates and minimum energy consumption. Experience greater savings with lower maintenance and operation costs when you install a BERING Reverse Osmosis System.

Model: BERING Piranha Reverse Osmosis Systems (2000 - 4000 GPD / 300 - 700 LPH)

Product Description:

BERING compact commercial reverse osmosis system is a durable piece of equipment which, with the correct care and maintenance will last for many years. BERING systems are part of a family of reverse osmosis units designed for operation with fresh and brackish feedwaters having TDS values below 2,000ppm. Models are available with permeate outputs of between 300 and 700 litres/hr as shown in the specifications tables.

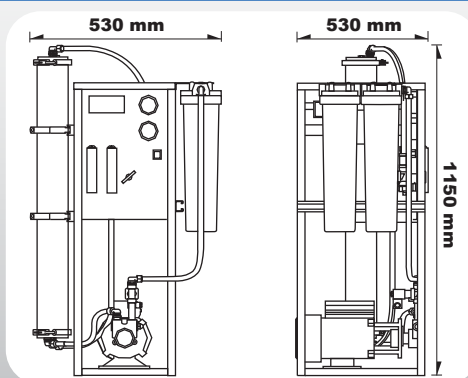
Specifications:

Specifications \ Models		Bering 2000	Bering 3000	Bering 4000
Capacity	GPD / LPH	2000 / 300	3000 / 500	4000 / 700
Working Pressure	PSI / BAR	150 - 200 / 10 - 14		
Pre-Filtration		(20" Filter Housing x 2) + (20" PP Cartridges 5u + 1u)		
Booster Pump		Rotary Van Pump + Motor (1HP)		Multi-staged Centrifugal Pump (3HP)
Membrane	Material	T.F.C with FRP outer wrap		
	Size X Unit	4040 x 1	4040 x 2	4040 x 2
Membrane Housing	Material	High pressure FRP end port type		
	Size X Unit	4040 x 1	4040 x 2	4040 x 2
Flow Meters		Permeate / Concentrate		
Pressure Gauges		Feed water pressure / Booster pump outlet pressure gauges		
Water quality indicator		T.D.S meter with LCD		
Electrical Controls		Micro-computer control, overload breakers, LED indicators		
Frame		Electro-Polished Stainless steel 304		
Weight		64 KG	75 KG	107 KG

Feed Water Parameters:

Turbidity (SDI)	< 5
T.D.S.	< 2000 ppm
Free Chlorine	0 ppm
pH	3 - 11
Iron	< 0.01 ppm

Dimensions:



Raw water source and quality is the key element that directly effect on the choice of pre-treatment equipment, pumps, piping, membranes...etc.
Please don't hesitate to send us your enquiry and see how we can help to meet your water treatment needs.

Distributed By: